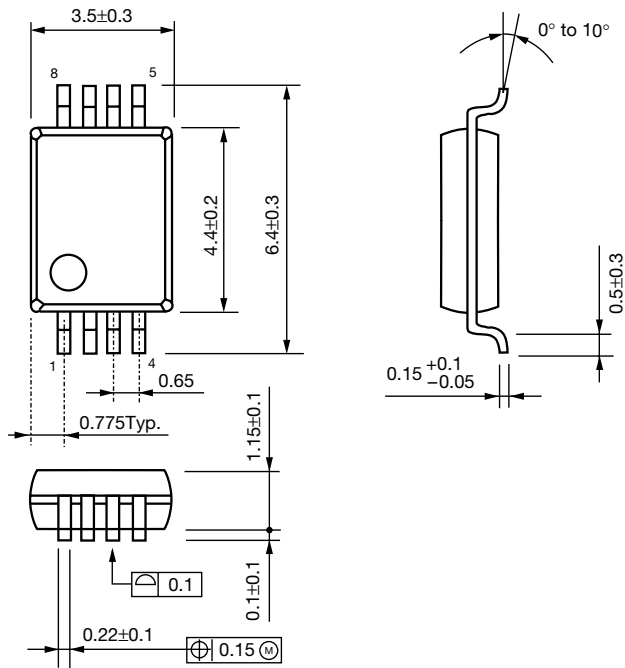
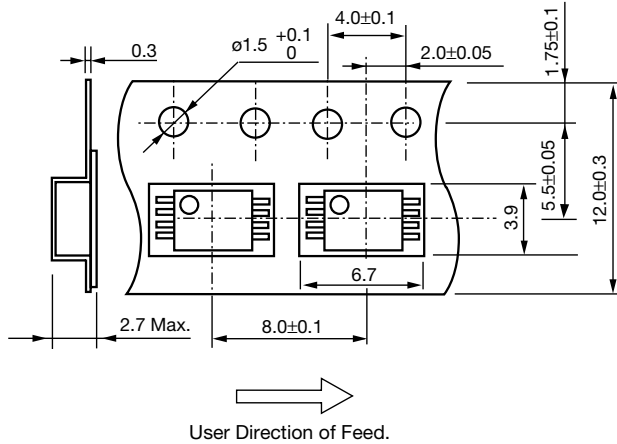


3. 8-pin SSOP  
PACKAGE DIMENSIONS

Unit:mm



TAPING SPECIFICATION



TAPING REEL DIMENSIONS

(1reel=2000pcs)

