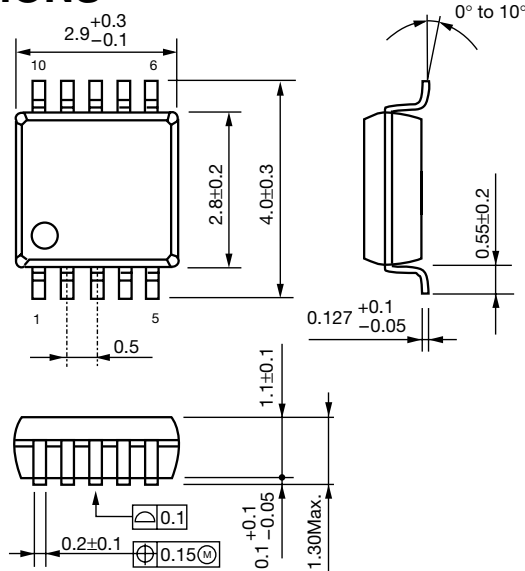


PACKAGES AND TAPING REELS INFORMATION

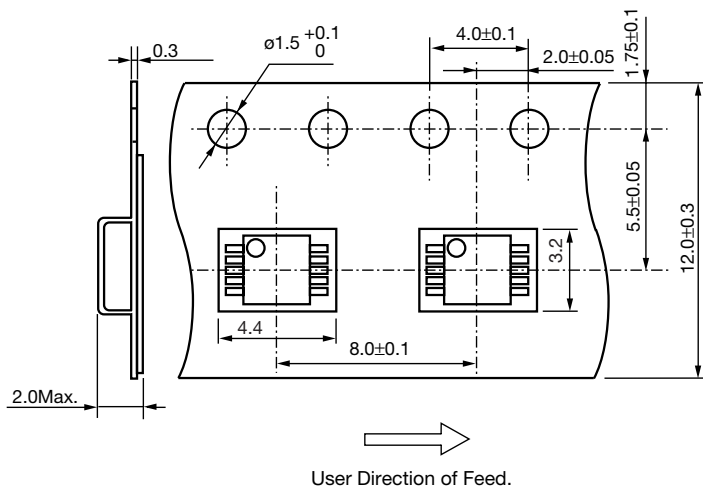
2. 10-pin SSOP-G

Unit:mm

PACKAGE DIMENSIONS



TAPING SPECIFICATION



TAPING REEL DIMENSIONS

(1reel=2000pcs)

